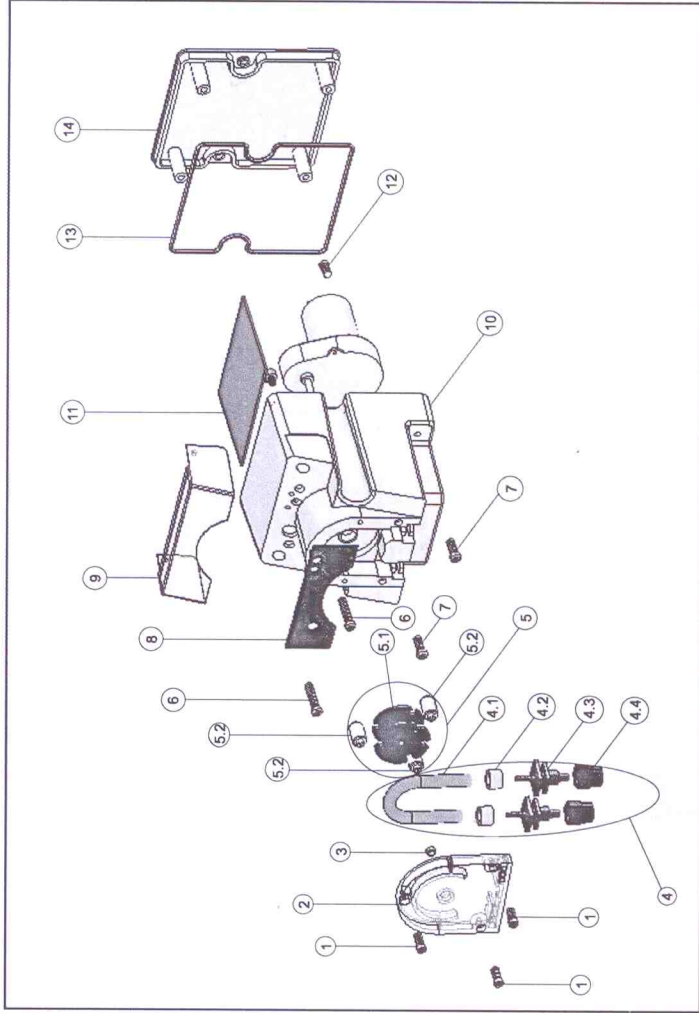


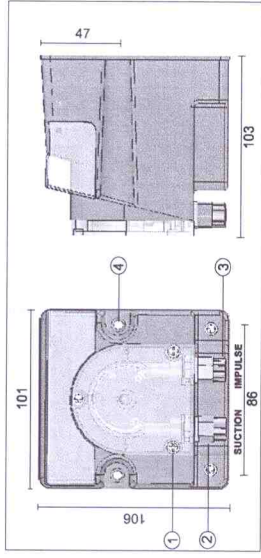
INSTALLING DOSING PUMPS

EXPLODED VIEW:



DIMENSIONS:

- 1- Screws to remove the lid to change the tube.
- 2- Pickup fitting.
- 3- Discharge fitting.
- 4- Hole to fix to the wall.



IMPORTANT: - Each time you have to change a tube, you must lubricate it with the Silicone lubricant tube available in Dosim.

- Avoid dampening the pump with water, and check that it is not located in a very humid place.

INSTALLATION:

- Mount brackets in the wall in a upright position using kit screws and plugs.
- Fix one end of the PVC Glass tube of the accessory kit to the pickup fitting, and the other end of the tube to the chemical tank.
- Fix one end of the PVC Glass tube for detergent or rinse product of the accessory kit to the pulse fitting and the other end to the injection fitting in the machine.
- Connect wire to power supply.
- Put wire far from the parts with temperatures higher than 100°C.
- If when using, the wire is damaged, replace it with same wire provided by the provider.
- Before servicing (maintenance) on the pump (eg: changing tube), please disconnect the equipment.

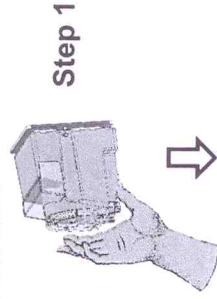
1. Screw Dossier cover pump body	10123810403
2. Cover pump body	10123510301
3. Cover bushing	10128010104
4. Tubing set	10100010205
4.1. Tube (Sant)	10120510201
Silicone tube (Q 1.8)	10130010105
Silicone tube (Q 1.2/2.1)	10130010107
4.2. Tube bushing	10128010103
4.3. Threaded connector	10127310104
4.4. Connector nut	10127310103
5. Roller set and roller blocks (rinse)	10134137420
Roller set and roller blocks (detergent)	10134137330

5.1. Roller blocks	10127310101
5.2. Roller (rinse)	10127310203
Roller (detergent)	10127310201
6. Upper case screw	10123810107
7. Lower case screw	10123810201
8. Face plate	10111210206
9. Transparent cover	10123510301
10. Cover	
11. C1R Circuit (deterg/rinse)	10124510101
C2R Circuit (detergent)	
T1R Circuit (deterg/rinse)	
12. Screw to fix motor	10623810108
13. Watertight seal	10120510101
14. Case cover	10123510201

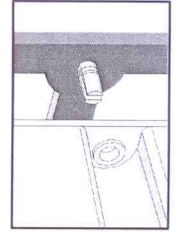
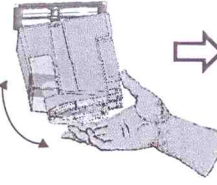
Power wire [Model C1R 10115410101
Model C2R 10115410102

MOUNTING AND TAKING OFF

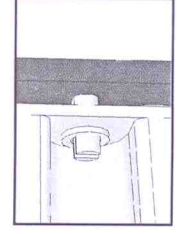
MOUNTING



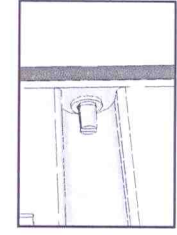
TAKE OFF



Step 2

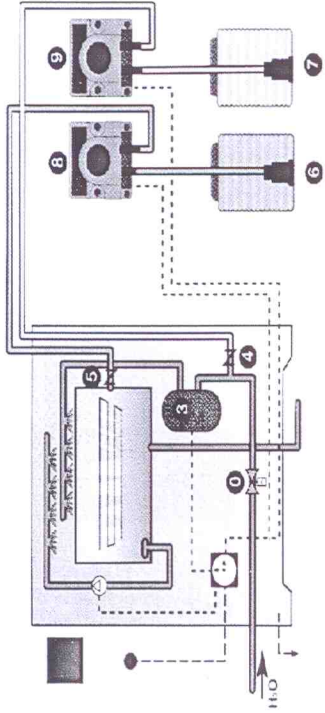


Step 3

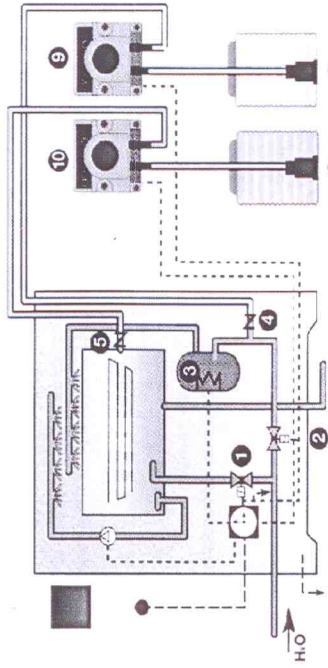


Step 4

MODEL C1R / SR



MODEL C2R

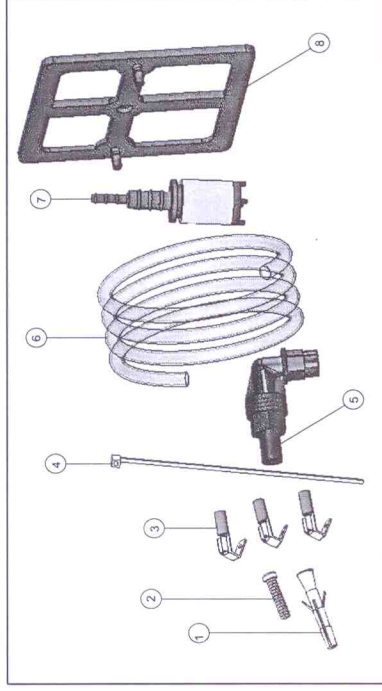


INSTALLATION DIAGRAM

- 0. Fill and rinse solenoid valve
- 1. Fill solenoid valve
- 2. Rinse solenoid valve
- 3. Heater
- 4. Rinse product injection fitting
- 5. Detergent connector
- 6. Detergent
- 7. Rinse product
- 8. DOSIPER C1R y SR
- 9. DOSIPER AC 1R
- 10. DOSIPER C2R

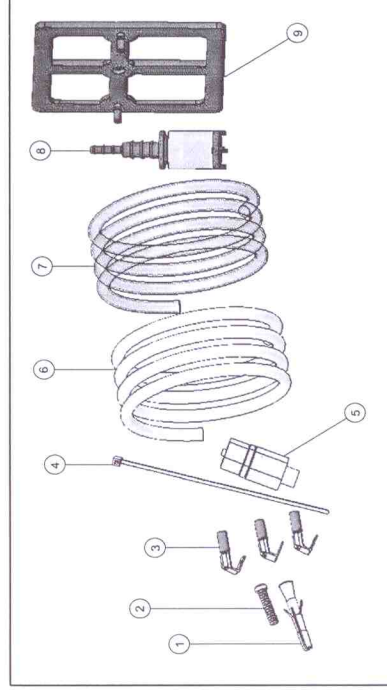
ACCESSORY KIT

DETERGENT KIT



- 1. Plug Dosiper ø 6 10117410101
- 2. Screw support 10123810101
- 3. Double fastons 10117410201
- 4. Clamp 10117410102
- 5. Dishwasher fitting 10100010099
- 6. PVC Glass tube 3m (suction/impulse) 10104157003
- 7. Filter 10100010104
- 8. Mounting bracket 10127410116

RINSE KIT



- 1. Plug Dosiper 10117410101
- 2. Screw support 10123810101
- 3. Double fastons 10117410201
- 4. Clamp 10117410102
- 5. Injection fitting 10001010061
- 6. PVC Glass tube 1.5m (suction) 10104157915
- 7. Polyethylene tube 1.5m (impulse) 10136343631
- 8. Filter 10100010104
- 9. Mounting bracket 10127410116

Bajo pedido:

- * PVC Glass tube 25m (suction/impulse) 10104157025
- * PVC Glass tube 50m (suction/impulse) 10104157050
- * PVC Glass tube 100m (suction/impulse) 10104157100
- * Polyethylene tube (impulse rinse) 10336310101
- * Short stainless steel dishwasher fitting 10100010096
- * Long stainless steel dishwasher fitting 10100010097